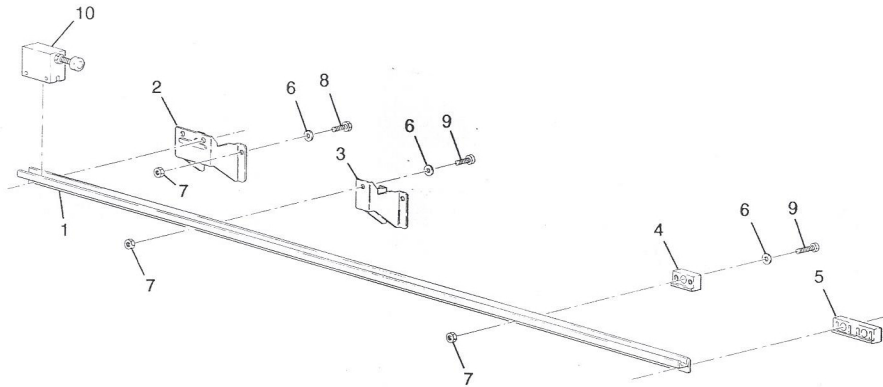


# T-Track (Optional)



ITEM	PART NO.	DESCRIPTION
1	T100	T-Track with Spacers
2	C102	Double track chair
3	C101	Single track chair
4	S101	Single track spacer
5	S102	Double track spacer
6	S114	Washer, Lock 1/4
7	S142	Nut, hex 1/4-20
8	S103	Screw, Hex Head Cap 1/4-20 x 3/8
9	S140	Screw, Self tap Phlps 14x2
10	S100	Block, stop



**UNICRAFT**  
Corporation

3640 Northwest 52nd Street, Miami, FL 33142  
Tel (305) 633-4470 Fax (305) 633-4866  
unisew@bellsouth.net - www.unicraftcorp.com